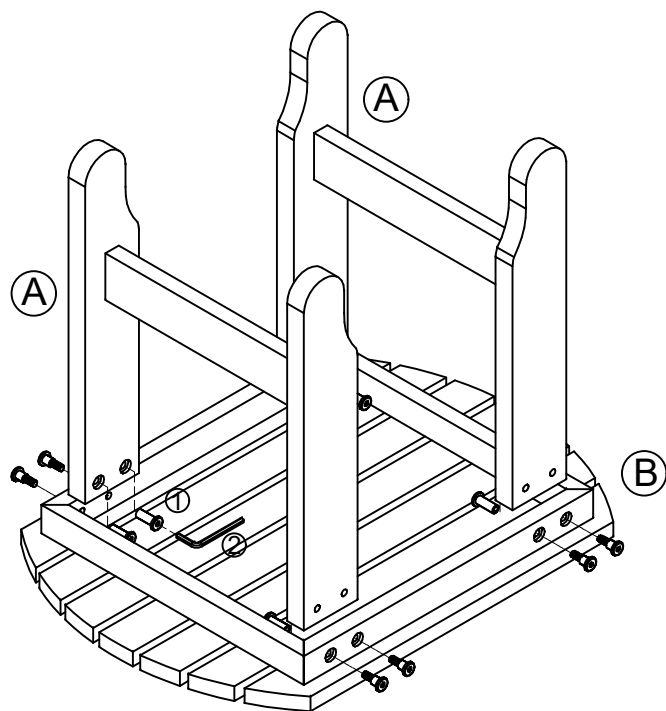
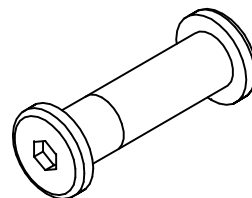


Step 1

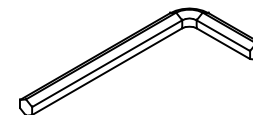


Assembly Instructions
DN 1503

1. Bolt M10 X 41 : 8 Pcs



2. L - Key 5 mm : 1 Pcs



Step 2

