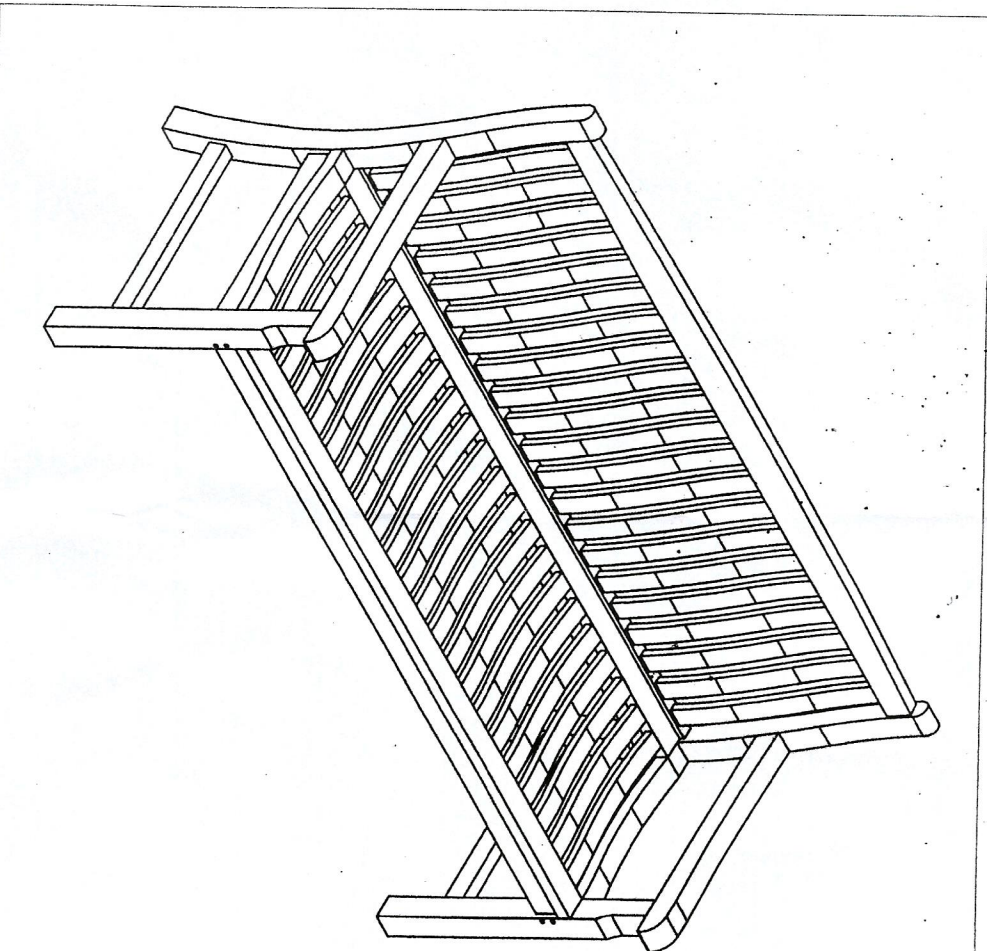
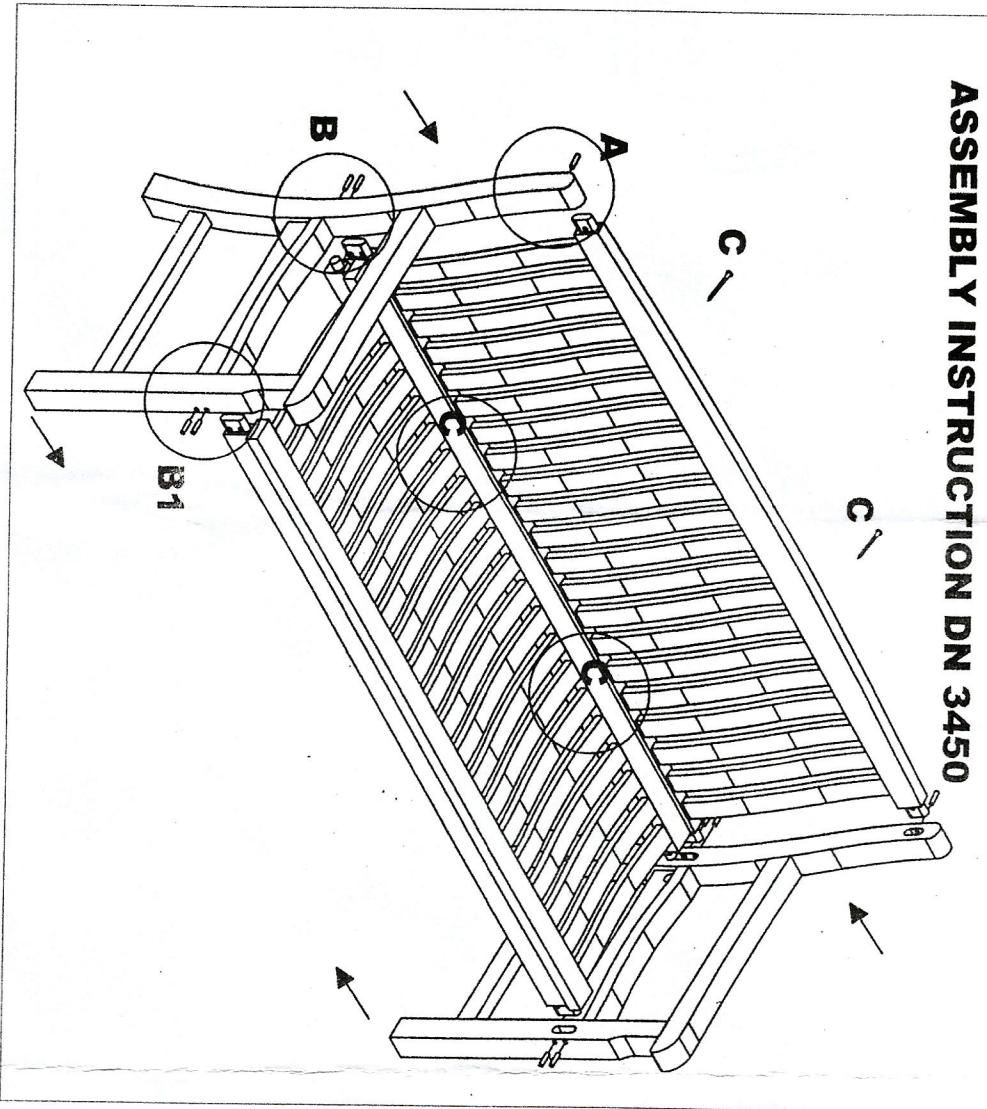
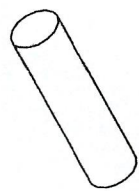
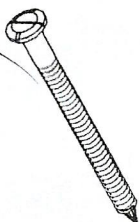
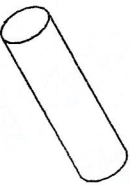
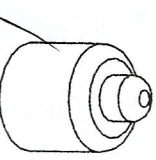


ASSEMBLY INSTRUCTION DN 3450



- | | |
|---|--|
|  <p>A. DOWEL Ø8X35
2 PCS</p> |  <p>C. M6X45 = 2 PCS</p> |
|  <p>B. DOWEL Ø8X40
8 PCS</p> |  <p>D. GLUE = 1 PCS</p> |

